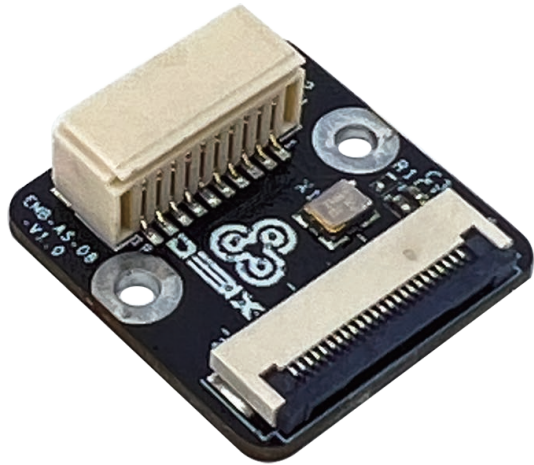


# Camera Adapter Board



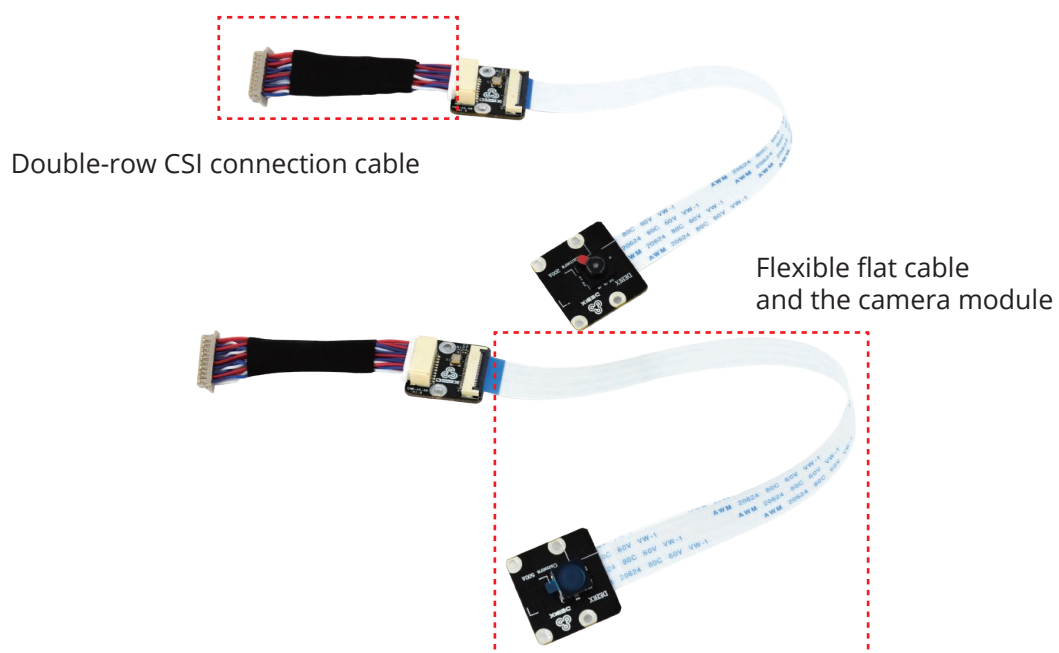
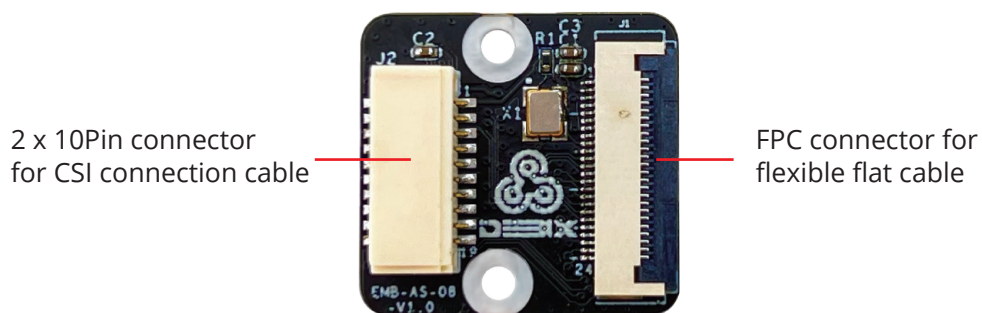
## Camera Adapter Board

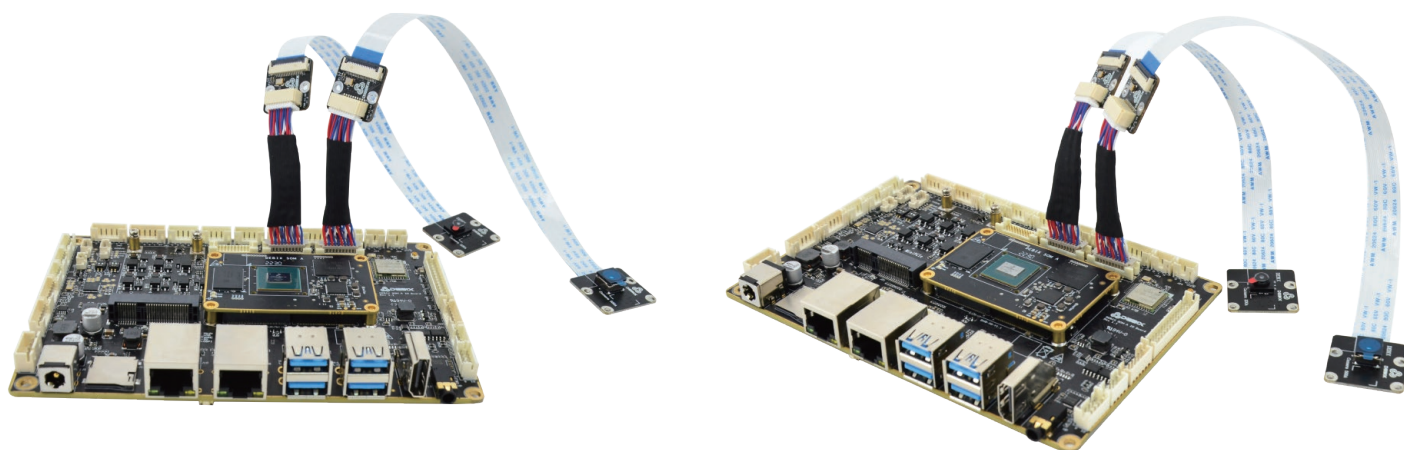
### Overview:

Camera Adapter Board is an add-on board designed for DEBIX SOM A I/O Board to allow the connection with the DEBIX Camera Module. It has a FPC connector for the flexible flat cable of the camera module and a 2 x 10Pin connector for the CSI connection cable.

### Main Features:

- Includes the double-row CSI connection cable
- Designed for DEBIX SOM A I/O Board
- Compatible with Camera 200A, Camera 500A and Camera 1300A





## Safety Instruction and Warnings:

### **General:**

- Avoid exposure to water, moisture, and conductive surfaces while operating.
- Handle with care to avoid mechanical or electrical damage to the circuit board and connectors.
- Only handle the board by the edges when powered on to minimize the risk of electrostatic discharge damage.

### **Environment:**

- Operate in a well-ventilated environment, even if using a case.
- Place on a stable, flat, non-conductive surface and avoid contact with conductive items.

### **Connections:**

- Use peripherals that comply with relevant standards for the country of use and ensure proper insulation and operation.

### **Additional notes:**

- This summary is not exhaustive, please refer to the full User Manual for details.
- If you are unsure about any aspect of safety or operation, consult a qualified professional.

---

## Contact Us:

Headquarters: DEBIX Technology Inc., 8345 Gold River Ct., Las Vegas, NV 89113, USA

Factory: 5-6/F., East Zone, Shunheda A2 Building, Liuxiangdong Industrial Park, Xili, Nanshan Dist., Shenzhen, China

Email: [info@debix.io](mailto:info@debix.io)

Website: [www.debix.io](http://www.debix.io)

Community: <https://discord.com/invite/adaHHaDkH2>

