

料号: FP52084W-RXX-01
P/N: FP52084W-RXX-01

REV	ECN	MARK	DESCRIPTION	DATE

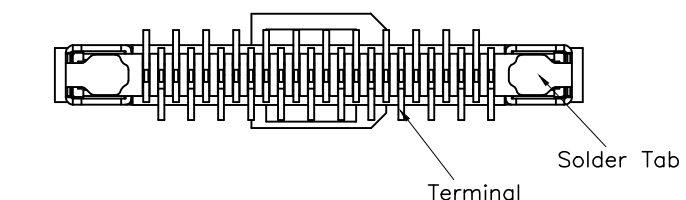
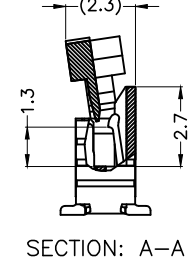
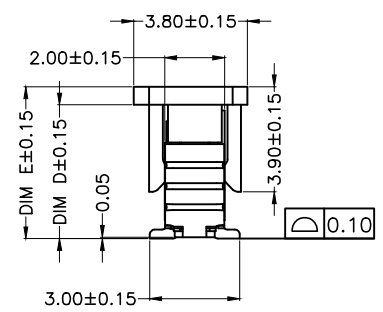
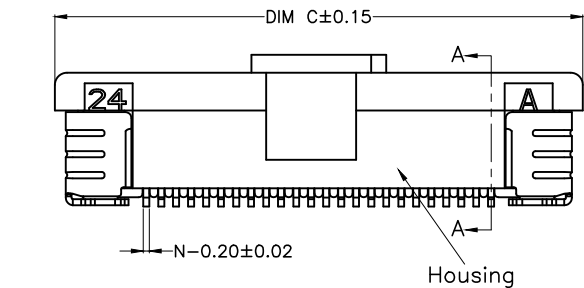
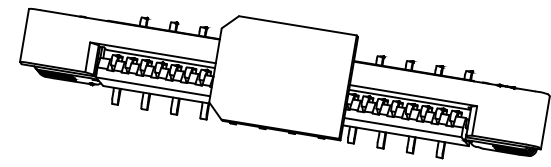
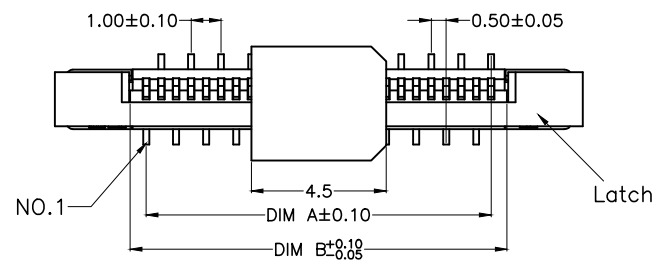
SPECIFICATIONS

1. Current Rating: 0.5A AC, DC
2. Voltage Rating: 50V AC, DC
3. Temperature Range: -40°C~+85°C
4. Contact Resistance: 30mΩ Max
5. Insulation Resistance: 500MΩ Min
6. Dielectric Strength: 200V AC/ minute
7. Material:
 - 7.1 Housing: LCP,UL94V-0;Color:Natural
 - 7.2 Latch: LCP,UL94V-0;color:Black
 - 7.3 Terminal: Copper alloy.
 - 7.4 Solder tab: Copper Alloy.

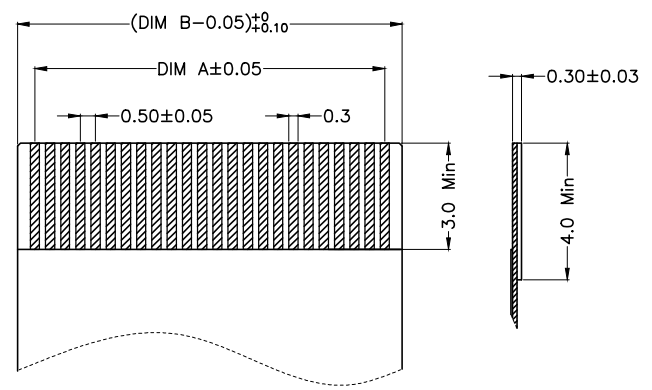
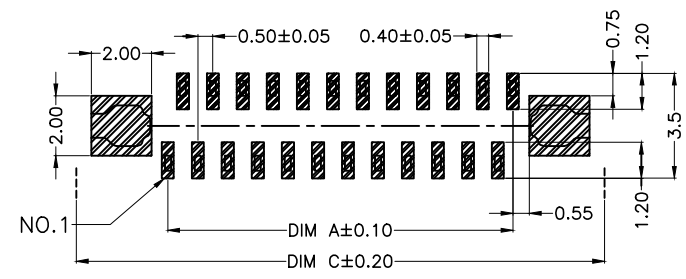
Ordering Information

FP5208 4 W - R ** - 01

- ①: FP5208: Series No
- ②: 4: V/T SMT Type
- ③: W: Receptacle
- ④: R: ROHS
- ⑤: PIN POS:06:6Pos ~ 60:60Pos



PIN	DIM D	DIM E
6~34	4.45	5.05
35~60	5.00	5.60



PIN	DIM A	DIM B	DIM C	PIN	DIM A	DIM B	DIM C
6	2.50	3.56	8.60	34	16.50	17.56	22.60
7	3.00	4.05	9.10	35	17.00	18.06	23.10
8	3.50	4.54	9.60	36	17.50	18.56	23.60
9	4.00	5.03	10.10	37	18.00	19.06	24.10
10	4.50	5.52	10.60	38	18.50	19.56	24.60
11	5.00	6.01	11.10	39	19.00	20.06	25.10
12	5.50	6.50	11.60	40	19.50	20.56	25.60
13	6.00	6.99	12.10	41	20.00	21.06	26.10
14	6.50	7.48	12.60	42	20.50	21.56	26.60
15	7.00	7.97	13.10	43	21.00	22.06	27.10
16	7.50	8.46	13.60	44	21.50	22.56	27.60
17	8.00	8.95	14.10	45	22.00	23.06	28.10
18	8.50	9.44	14.60	46	22.50	23.56	28.60
19	9.00	9.93	15.10	47	23.00	24.06	29.10
20	9.50	10.42	15.60	48	23.50	24.56	29.60
21	10.00	10.91	16.10	49	24.00	25.06	30.10
22	10.50	11.40	16.60	50	24.50	25.56	30.60
23	11.00	11.89	17.10	51	25.00	26.06	31.10
24	11.50	12.38	17.60	52	25.50	26.56	31.60
25	12.00	12.87	18.10	53	26.00	27.06	32.10
26	12.50	13.36	18.60	54	26.50	27.56	32.60
27	13.00	13.85	19.10	55	27.00	28.06	33.10
28	13.50	14.34	19.60	56	27.50	28.56	33.60
29	14.00	14.83	20.10	57	28.00	29.06	34.10
30	14.50	15.32	20.60	58	28.50	29.56	34.60
31	15.00	15.81	21.10	59	29.00	30.06	35.10
32	15.50	16.30	21.60	60	29.50	30.56	35.60
33	16.00	16.79	22.10				

JRE 深圳市锦润电子科技有限公司
SHENZHEN JINRUN ELECTRONICS TECHNOLOGY CO.,LTD

比例 SCALE	单位 UNIT
1:1	mm

一般公差 GENERAL TOLERANCE
*** ± 0.05 ± 0.5"
** ± 0.10 ± 1"
* ± 0.20 ± 2"
± 0.50 ± 3"

投影法 PROJECTION METHOD

绘图 DR.
XIONG HUAN
2015-01-28

校图 CHK.
S K Y

核准 APPD.
QI JIANHUA
2015-01-28

版本: REV.	A
页码: PAGE	1 of 1

品名: TITLE	0.5PITCH FPC CONNECTOR DRAWER TYPE POSITIVE FOOT
料号: P/N.	FP52084W-RXX-01

CONSUMER DRAWING

SIZE A4