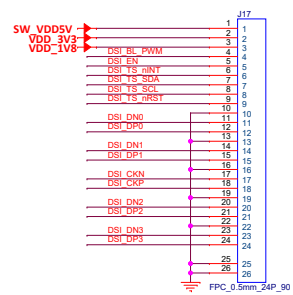
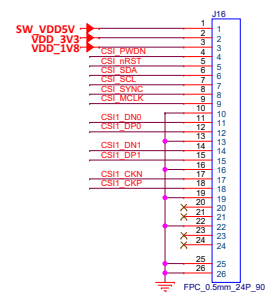


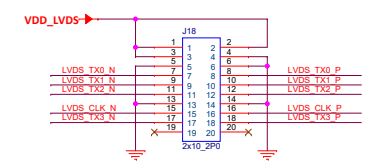
40Pin Header



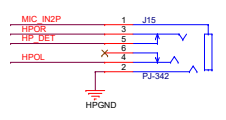
MIPI DSI



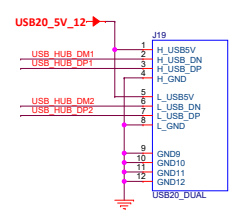
MIPI CSI



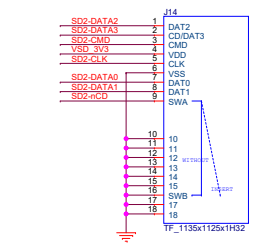
LVDS



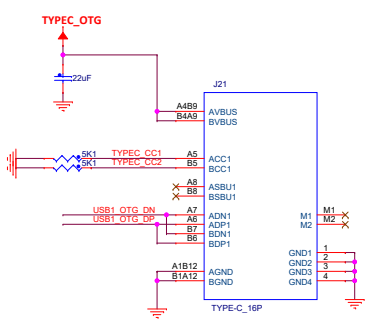
AUDIO



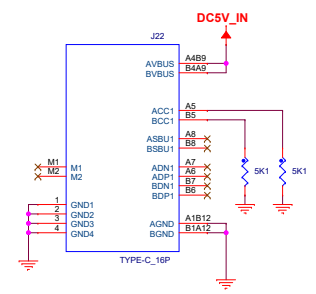
2*USB2.0



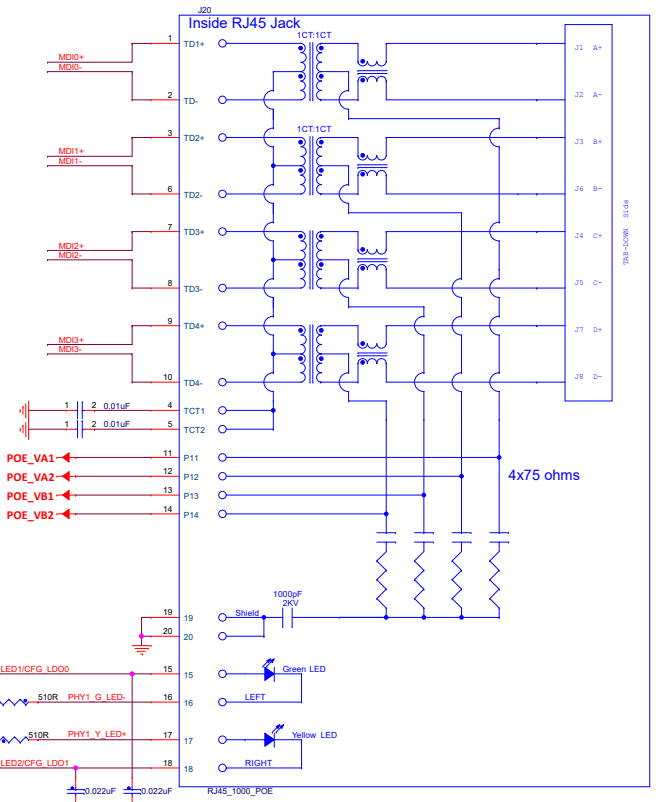
SD Slot



Type-c OTG



Power In



LAN1&2

Notes: LAN2 without POE