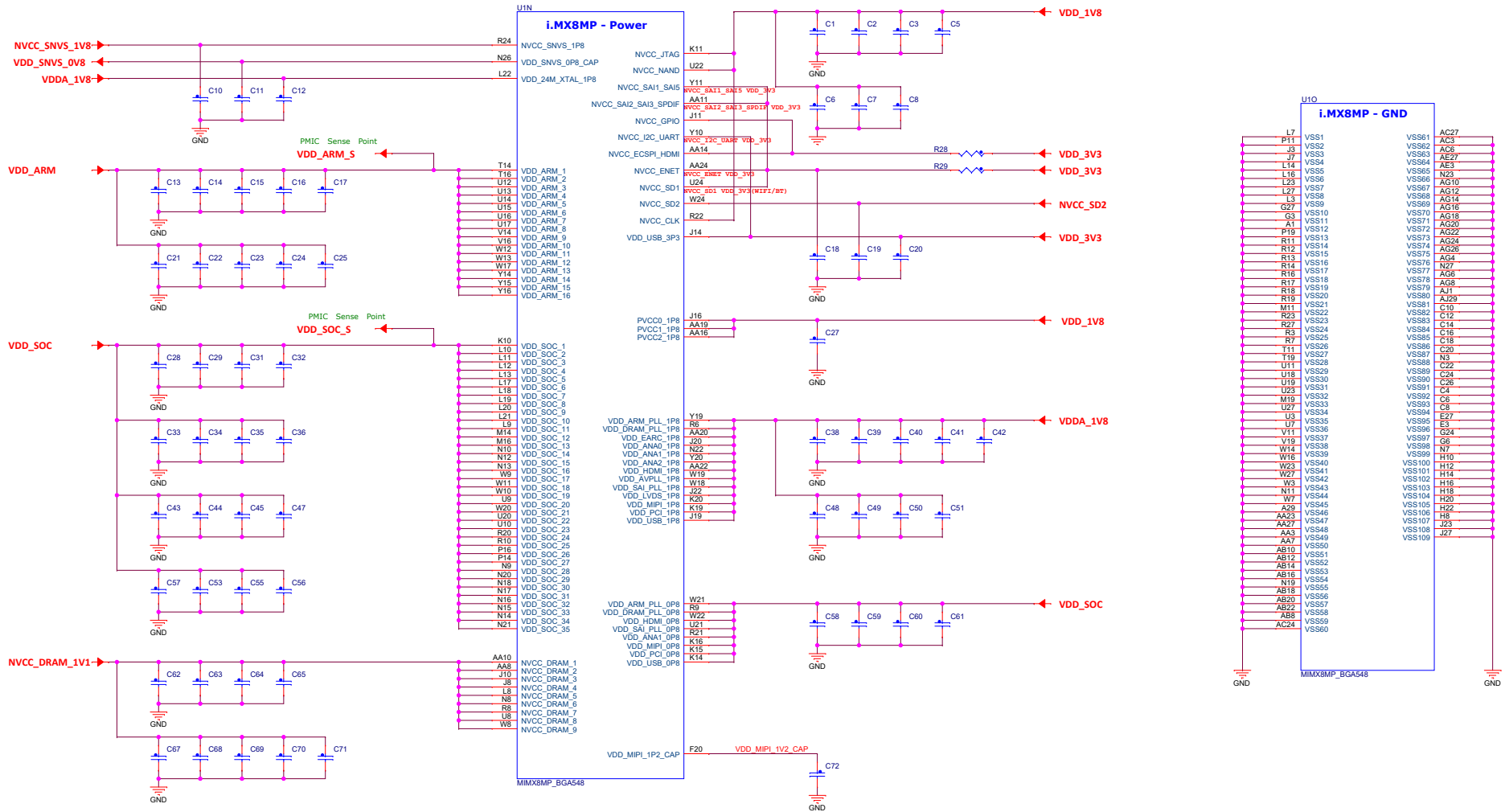
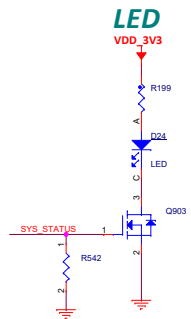
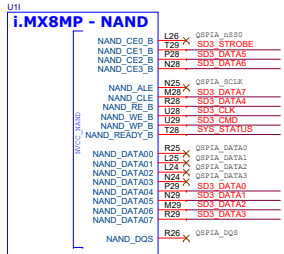


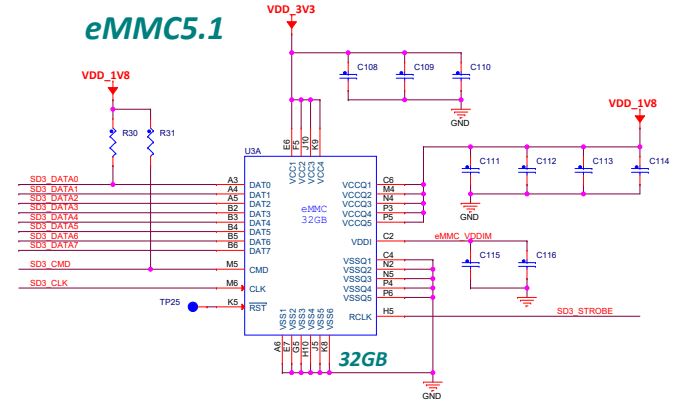
i.MX8M Plus PWR



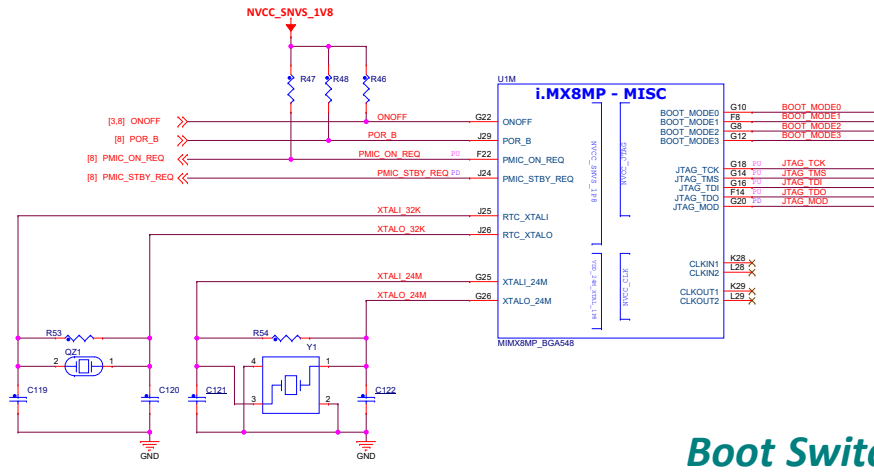
i.MX8M Plus IO Interface



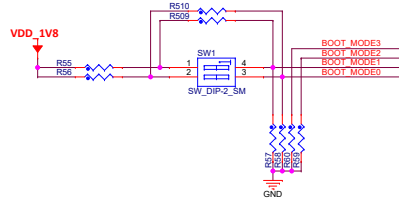
eMMC5.1



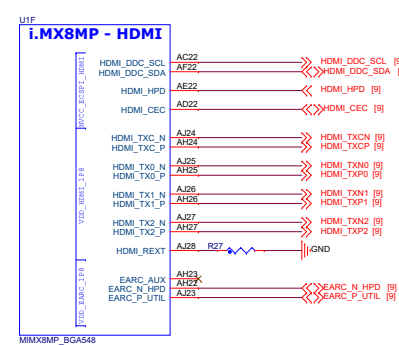
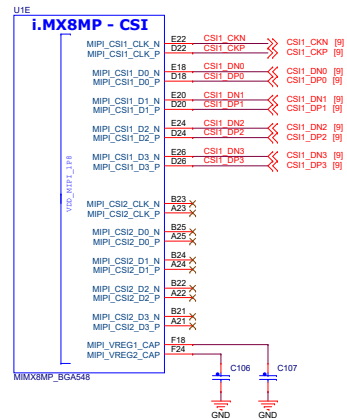
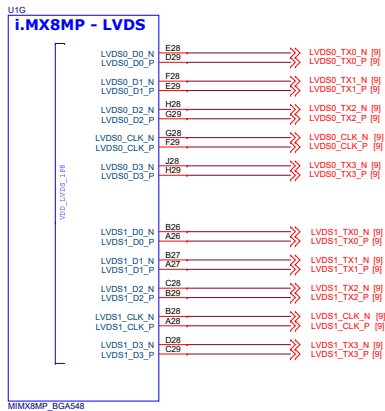
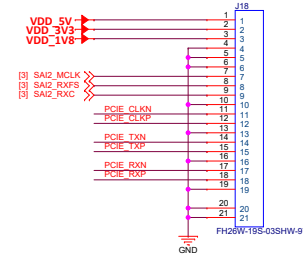
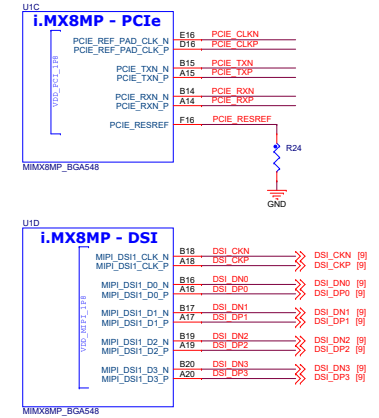
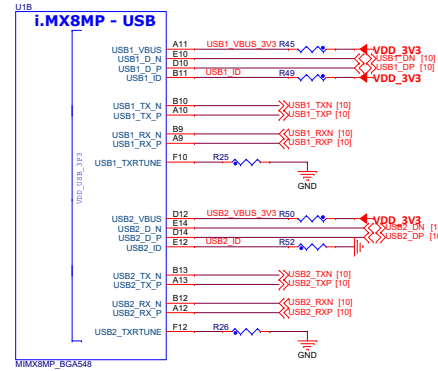
i.MX8M Plus PHYs MISC

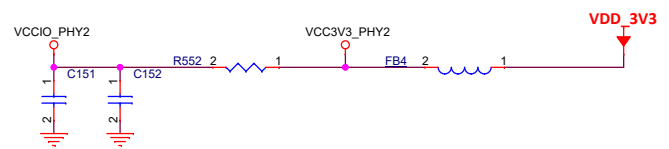
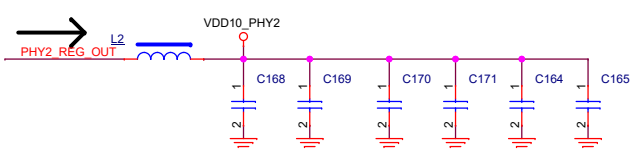
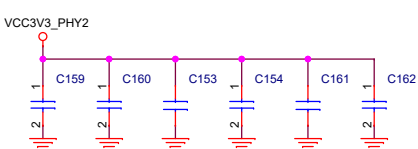
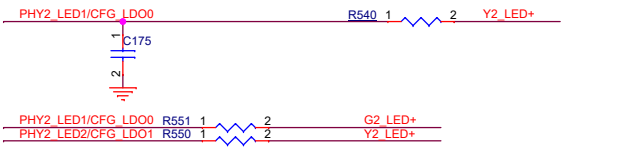
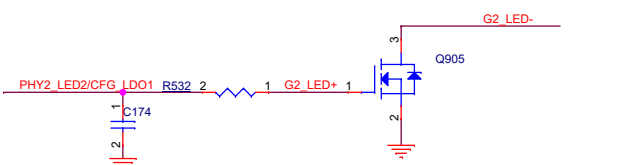
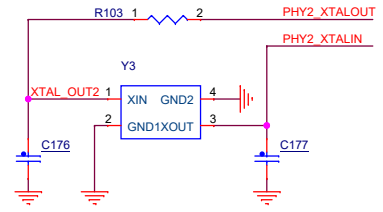
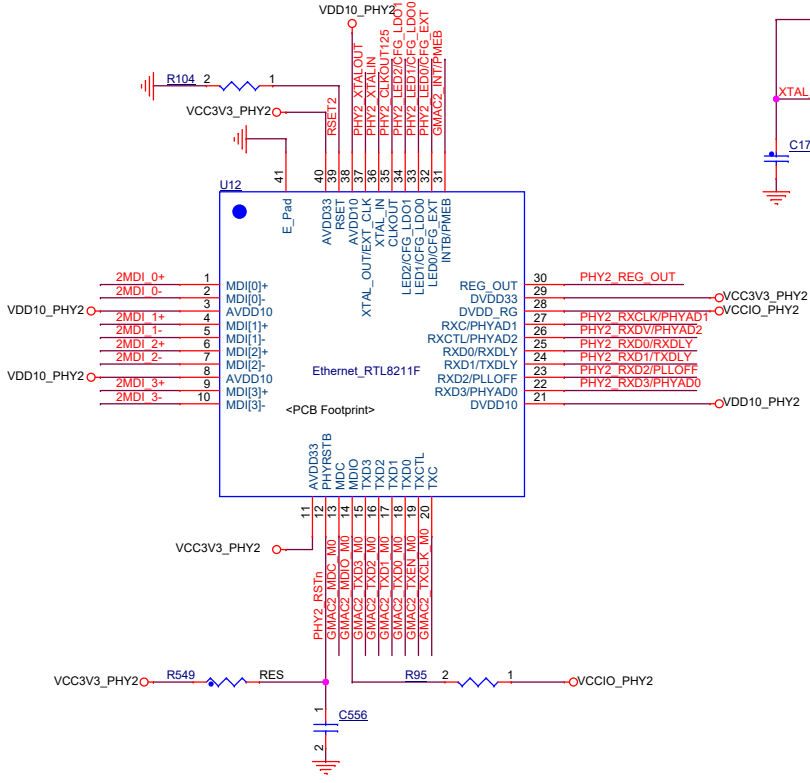
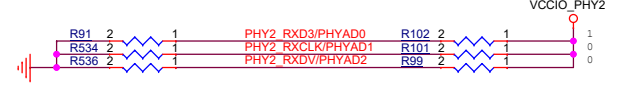
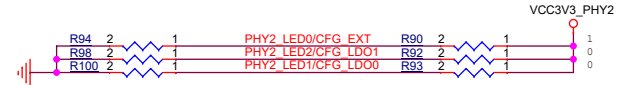
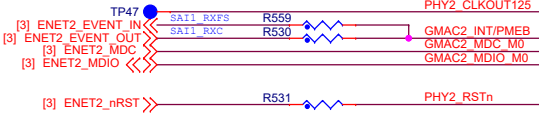
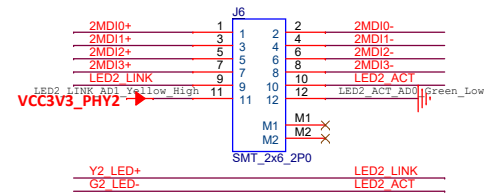
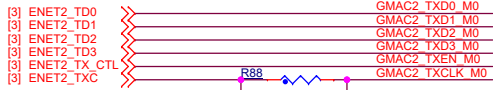


Boot Switch



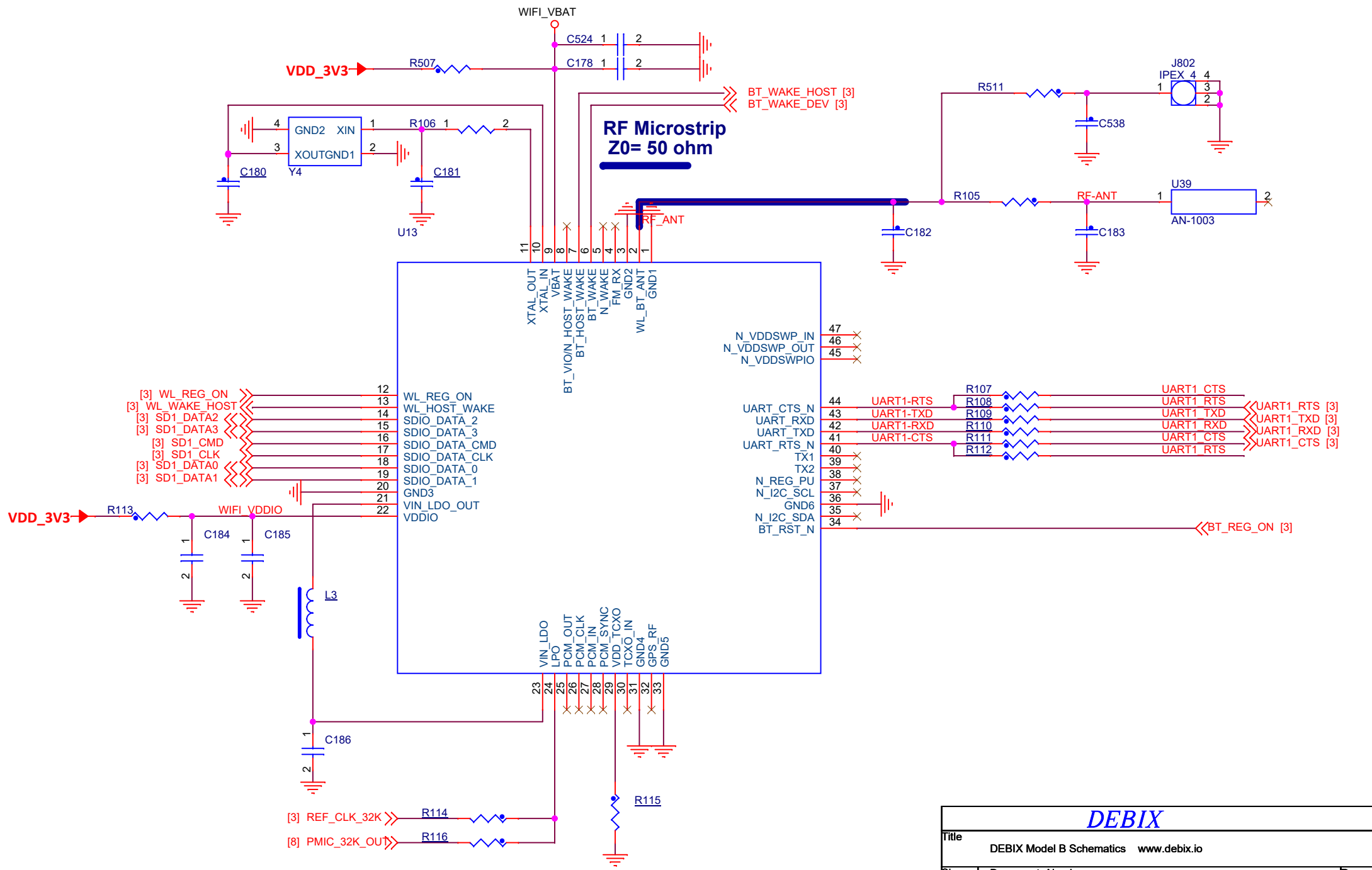
BOOT_MODE1	BOOT_MODE0	Boot Modes
0	0	Boot From Internal Fuses
0	1	USB Serial Download
1	0	USDHC3 (eMMC boot only, SD3 8-bit)
1	1	USDHC2 (SD boot only, SD2)





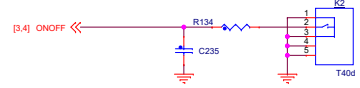
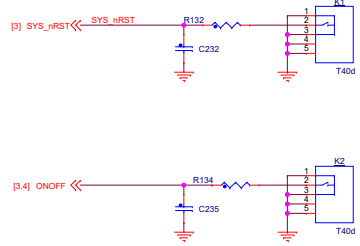
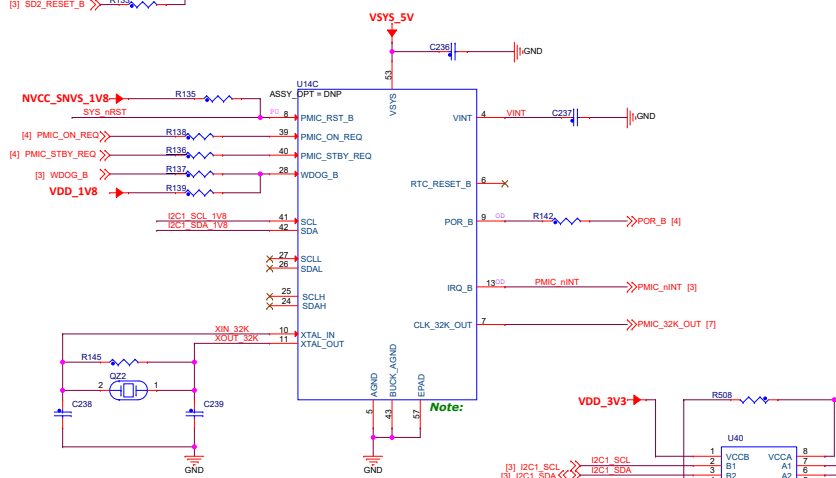
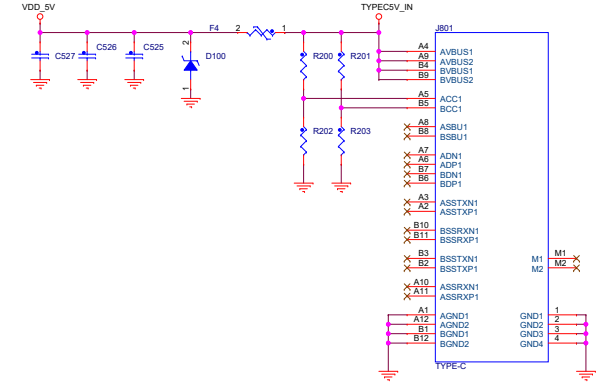
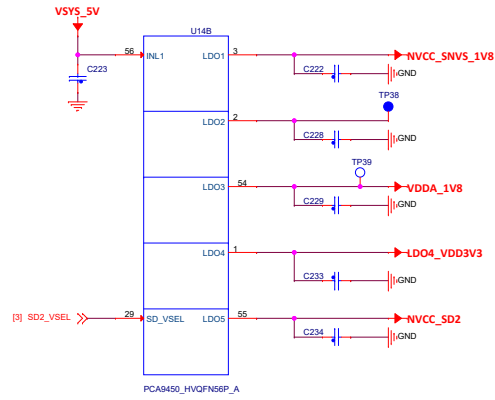
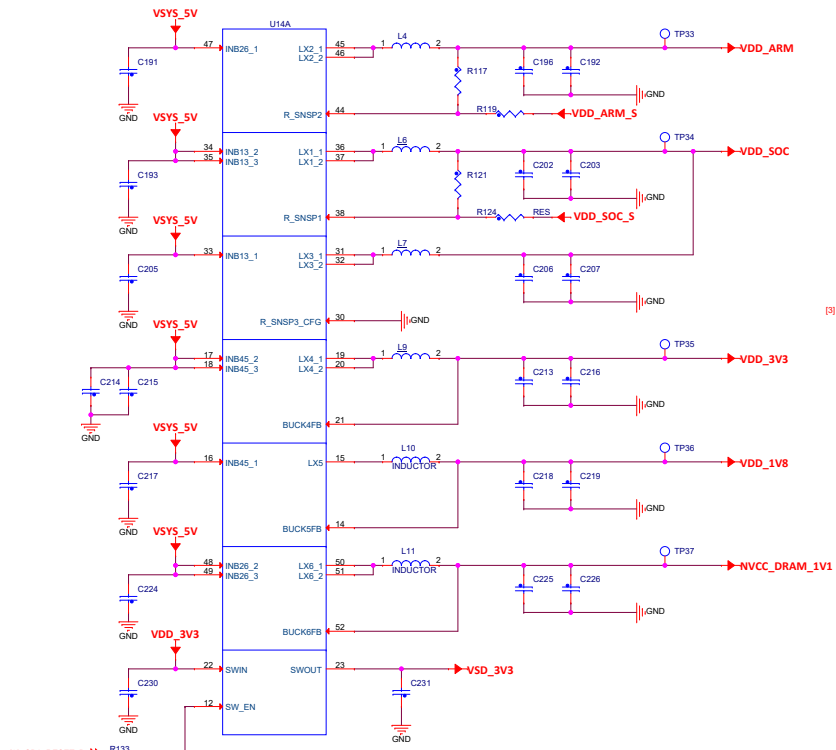
DEBIX		
Title: DEBIX Model B Schematics www.debix.io		
Size: Custom	Document Number: ETHERNET2	Rev: V1.0
Date:	Sheet: 6	of 11

SDIO WIFI/BT MODULE 2.4G/5G

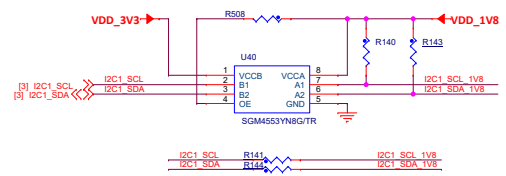
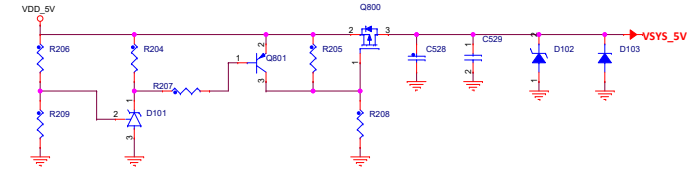


DEBIX		
Title DEBIX Model B Schematics www.debix.io		
Size A4	Document Number WIFI&BT	Rev V1.0
Date:	Sheet 7 of 11	

SYS PMIC

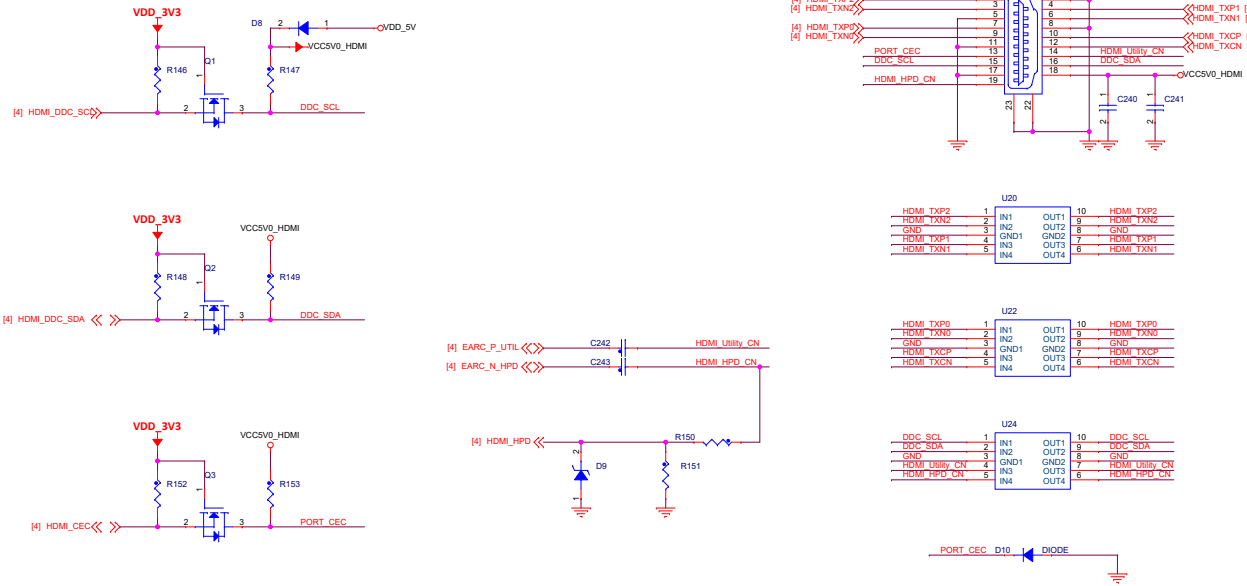


- BH1
- BH2
- BH3
- BH4

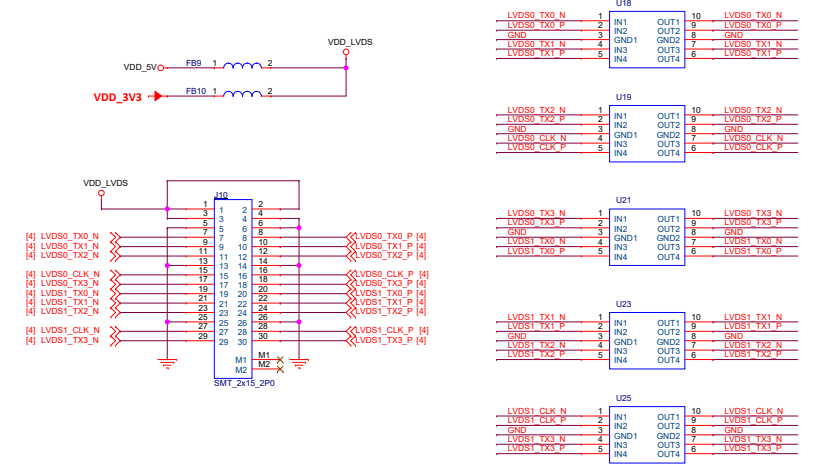


DEBIX			
Title: DEBIX Model B Schematics www.debix.io			
Size: A2	Document Number: PMICSDC-IN	Rev: Y1.0	
Date:	Sheet: 8	of: 11	

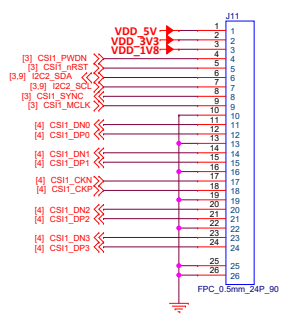
HDMI OUT



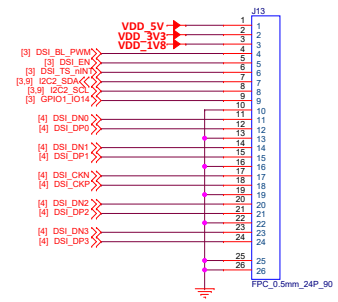
DUAL LVDS OUT

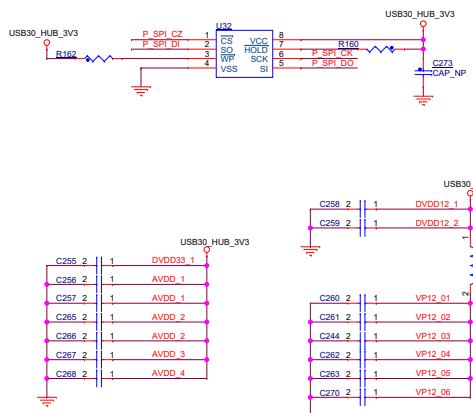
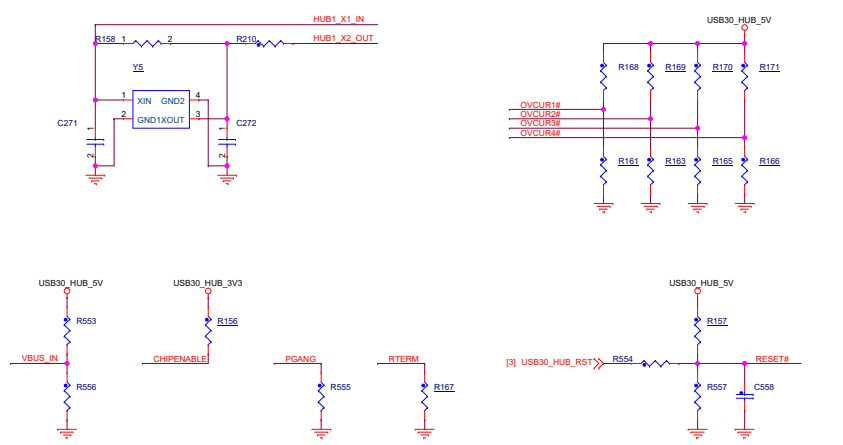
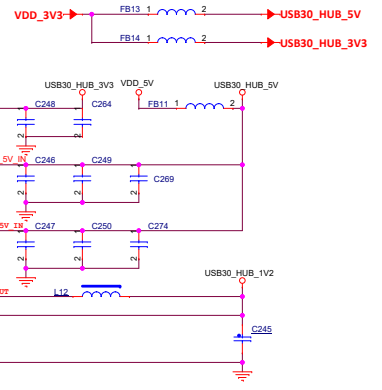
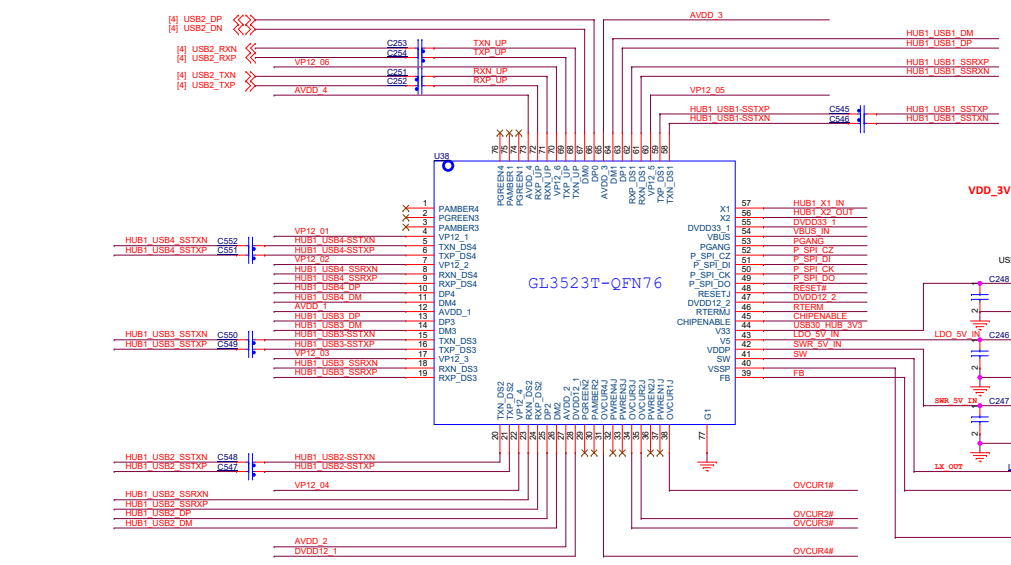


CSI1 INPUT

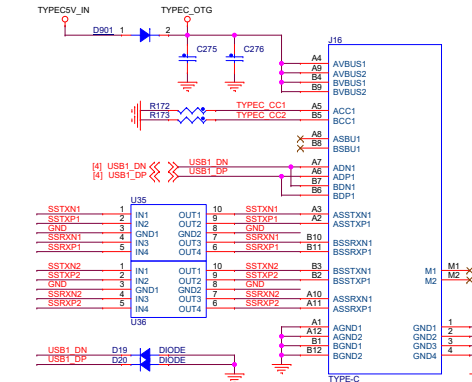
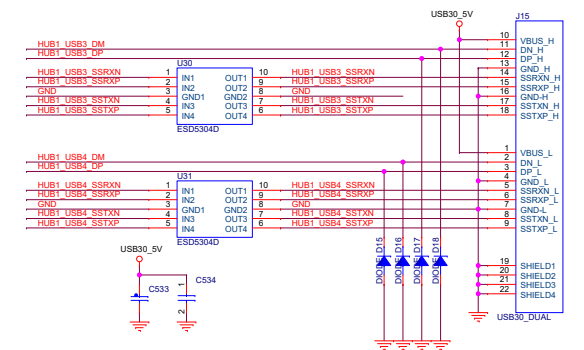
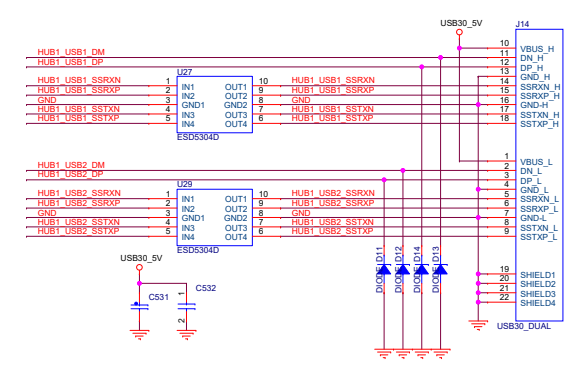
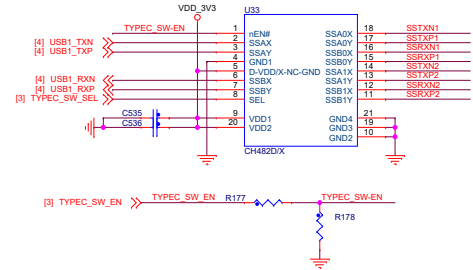


DSI OUTPUT





USB Type-C Port



USB Host Power

