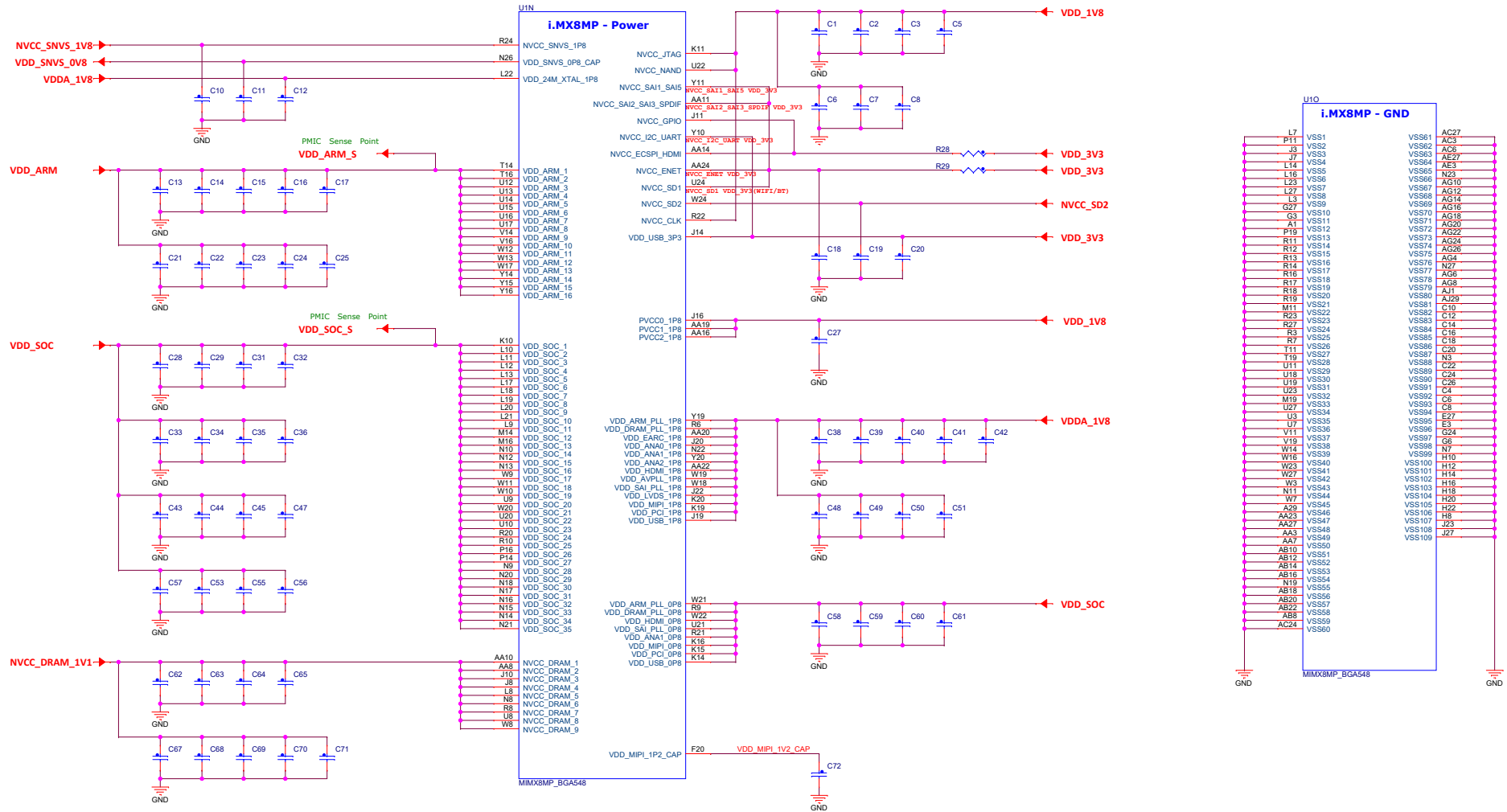
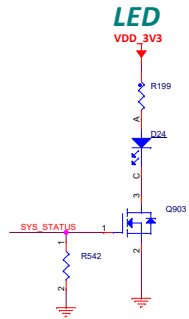
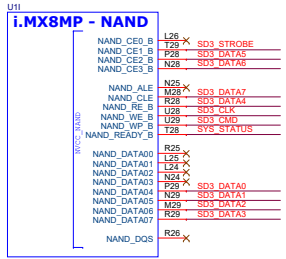


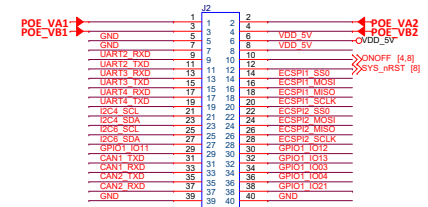
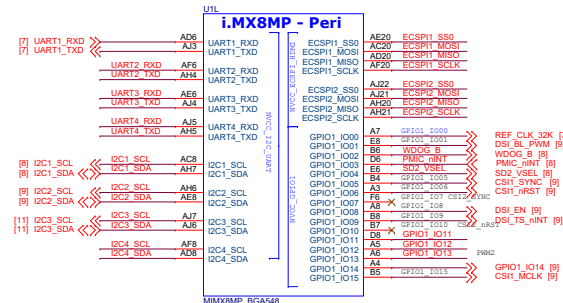
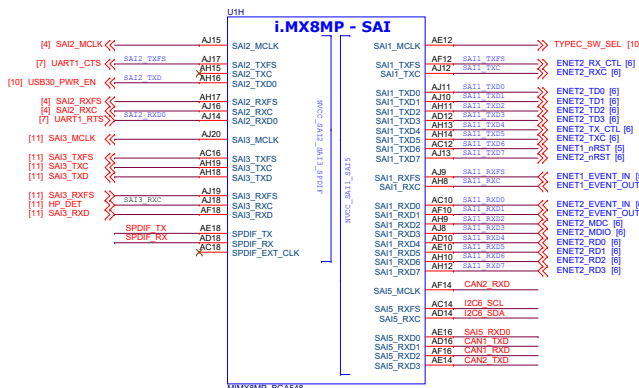
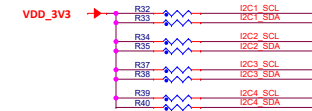
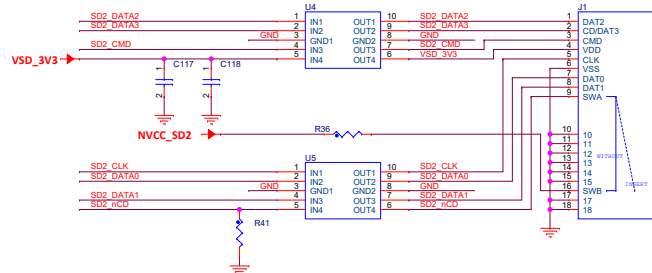
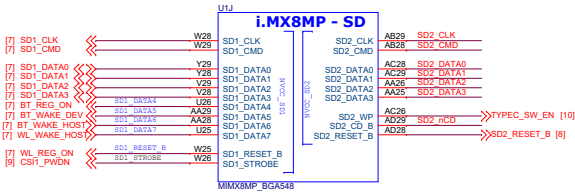
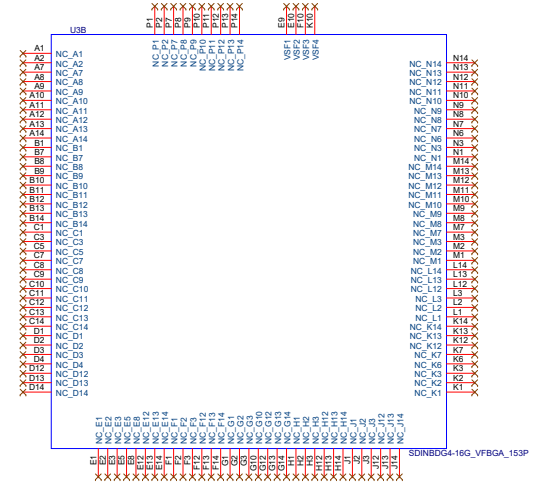
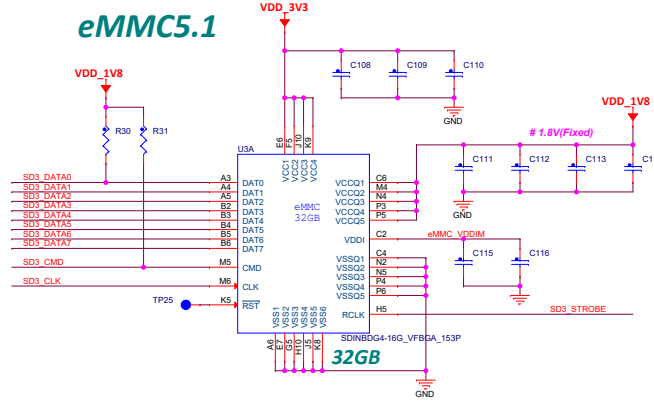
i.MX8M Plus PWR



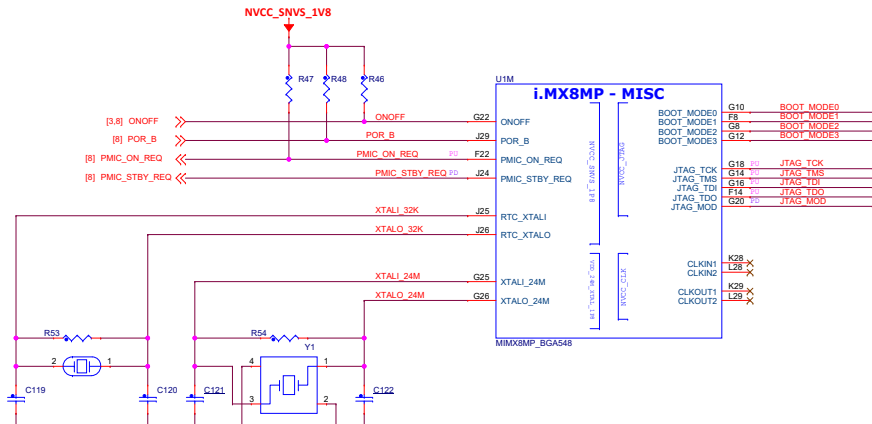
i.MX8M Plus IO Interface



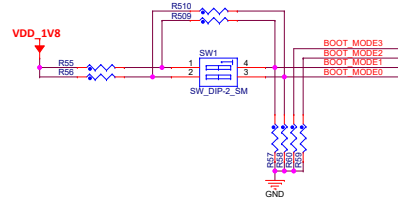
eMMC5.1



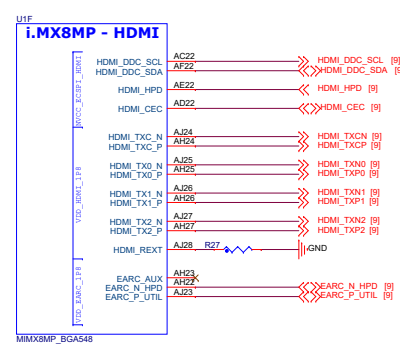
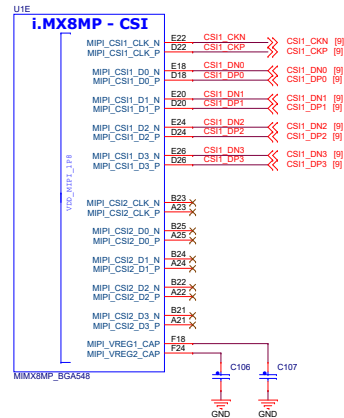
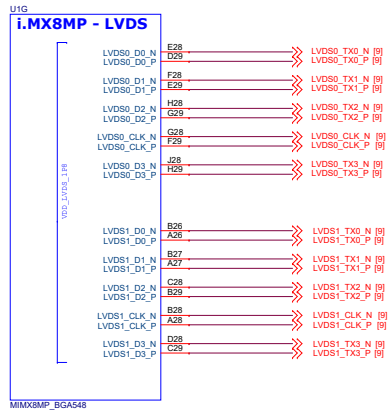
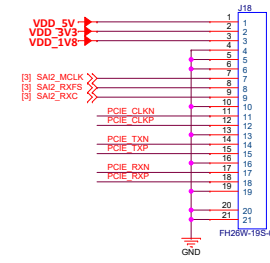
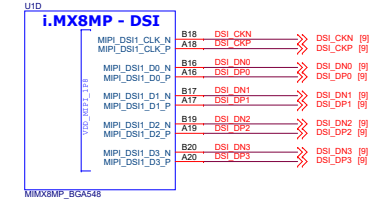
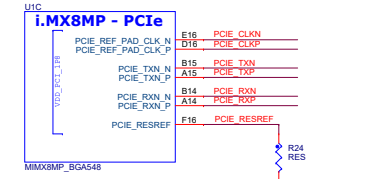
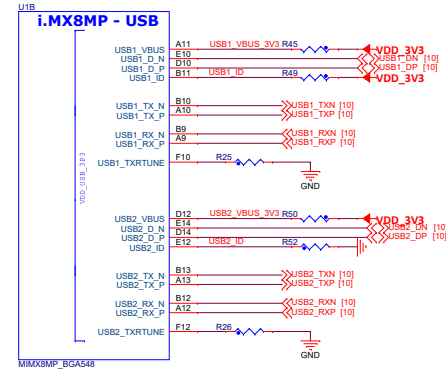
i.MX8M Plus PHYs MISC

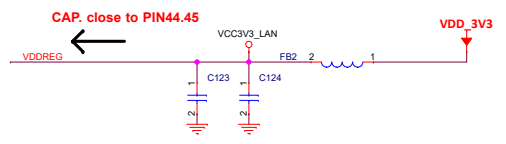
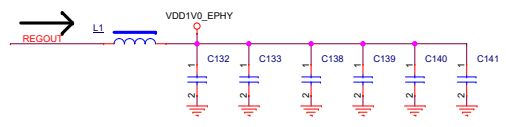
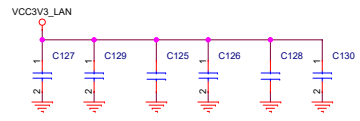
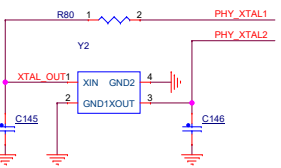
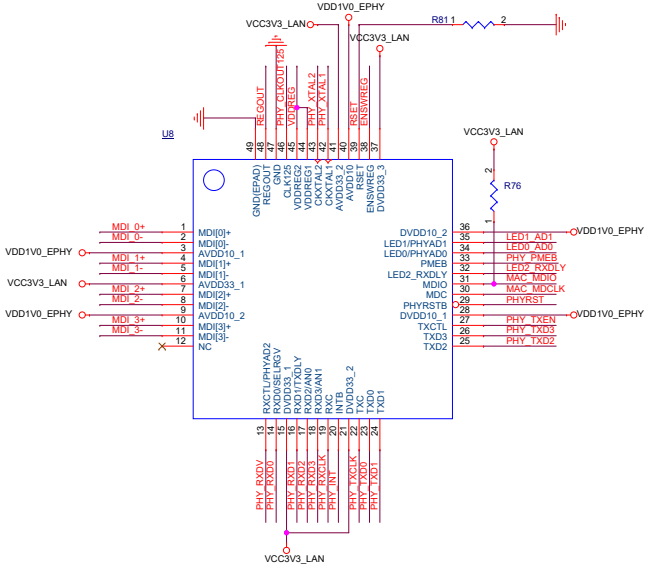
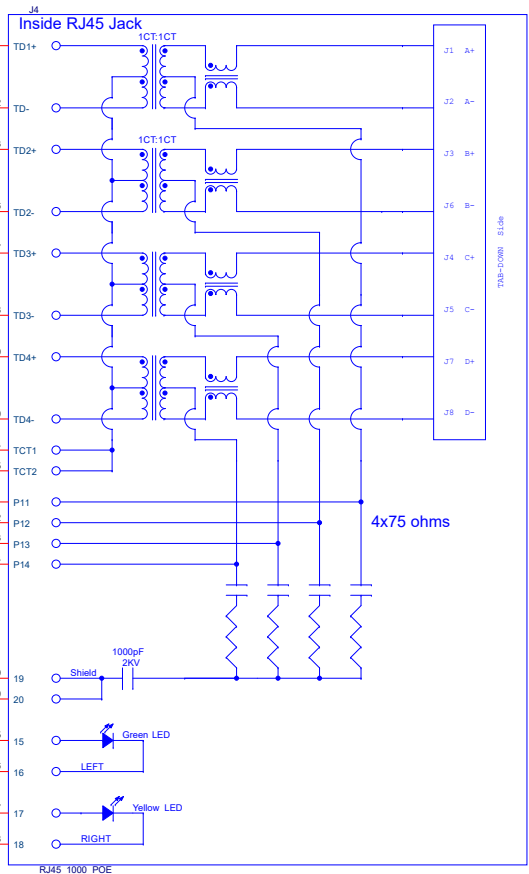
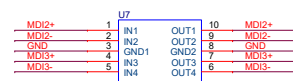
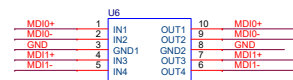
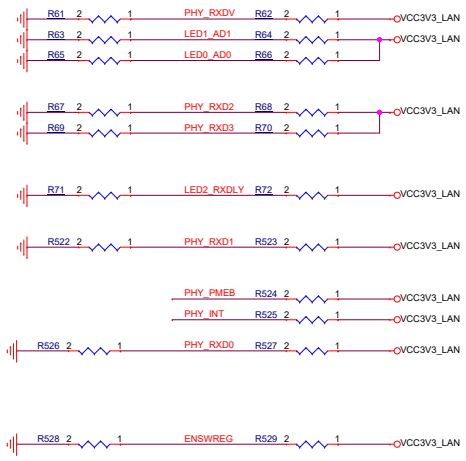
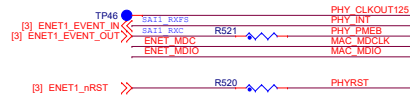
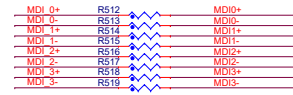
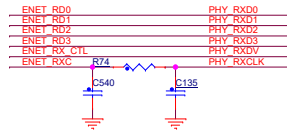
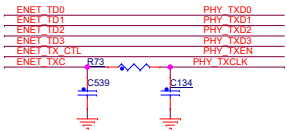
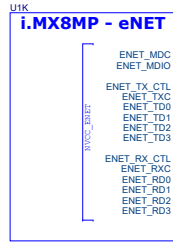


Boot Switch

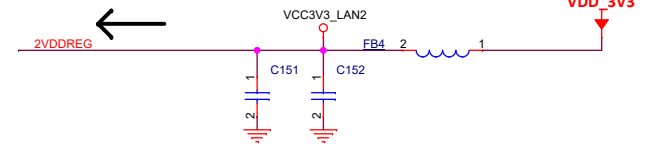
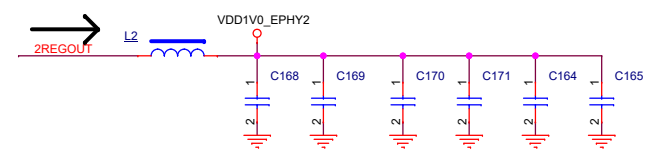
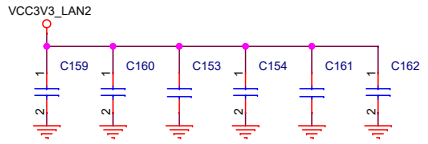
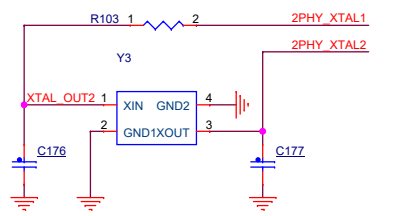
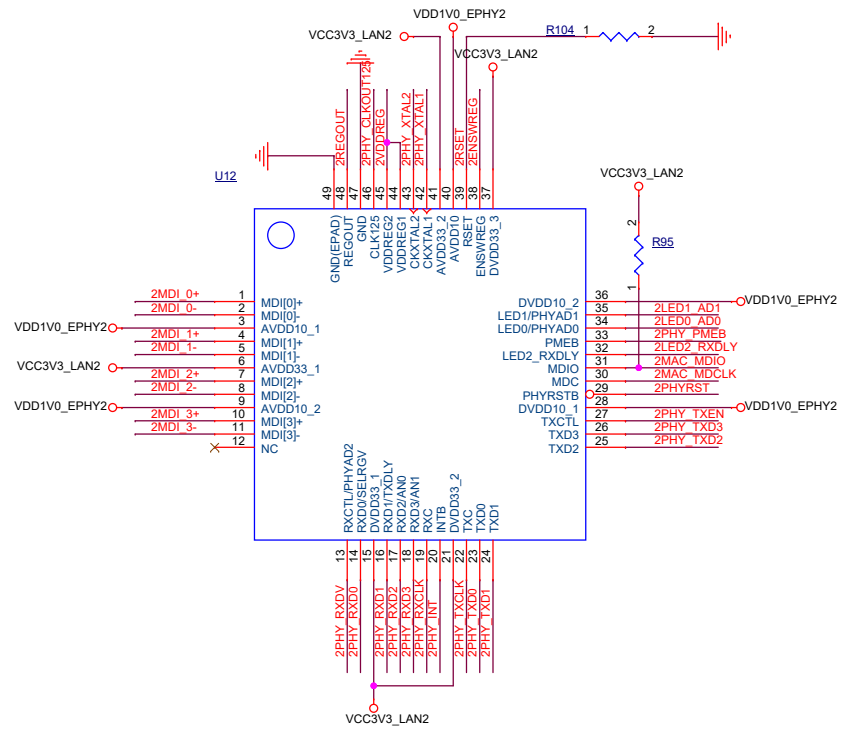
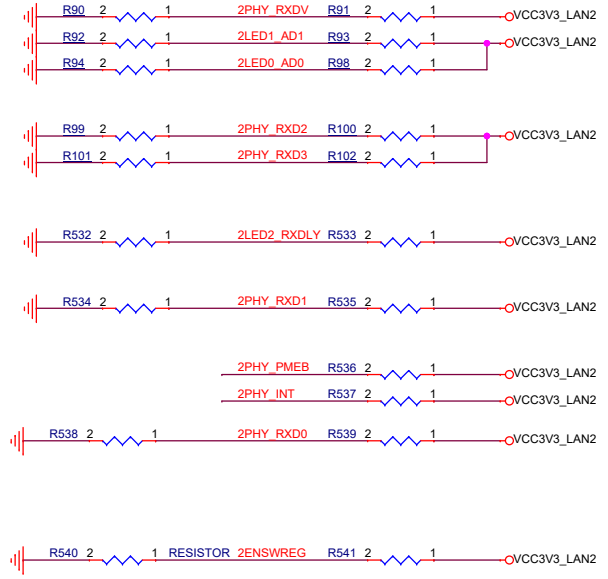
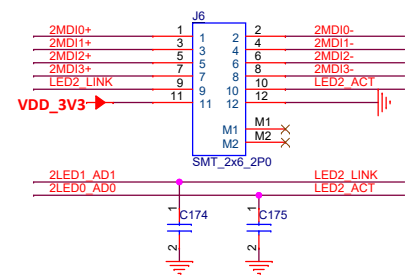
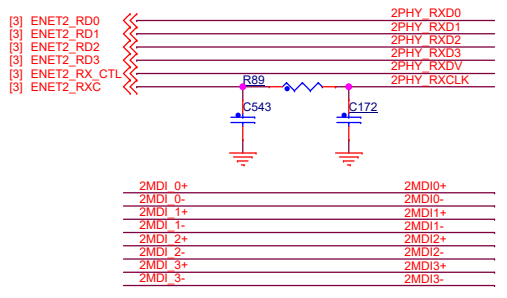
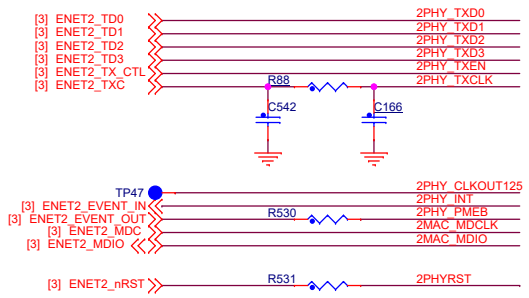


BOOT_MODE1	BOOT_MODE0	Boot Modes
0	0	Boot From Internal Fuses
0	1	USB Serial Download
1	0	USDHC3 (eMMC boot only, SD3 8-bit)
1	1	USDHC2 (SD boot only, SD2)



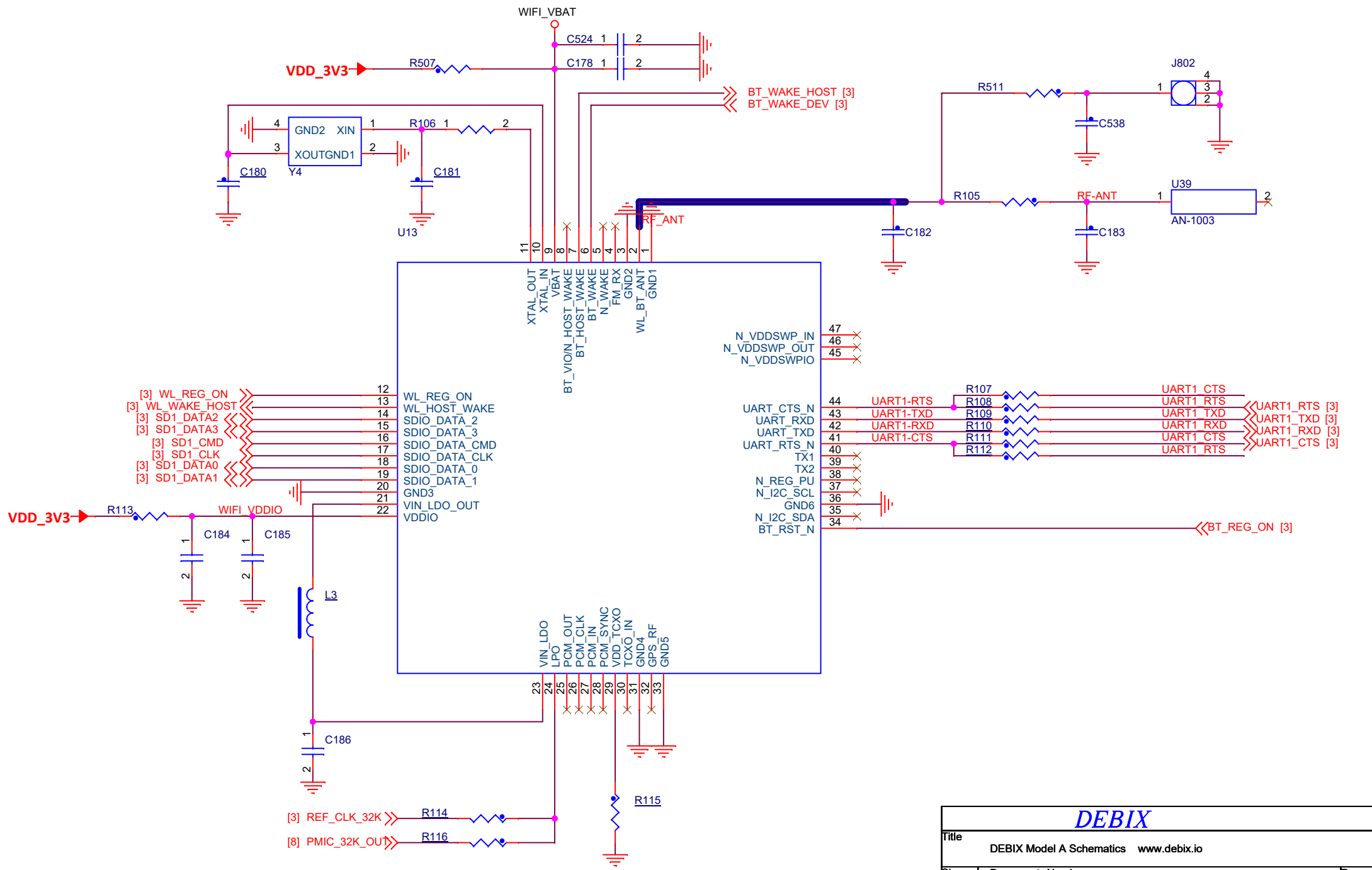


DEBIX			
DEBIX Model A Schematics www.debix.io			
File	Document Number	Rev	
Size	ETHERNET1	V05	
Custom			
Date:		Sheet	5 of 11



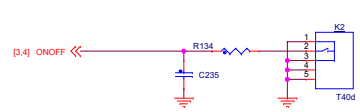
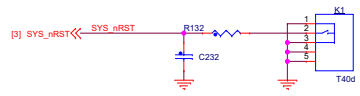
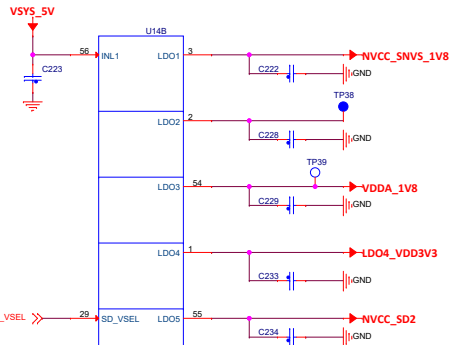
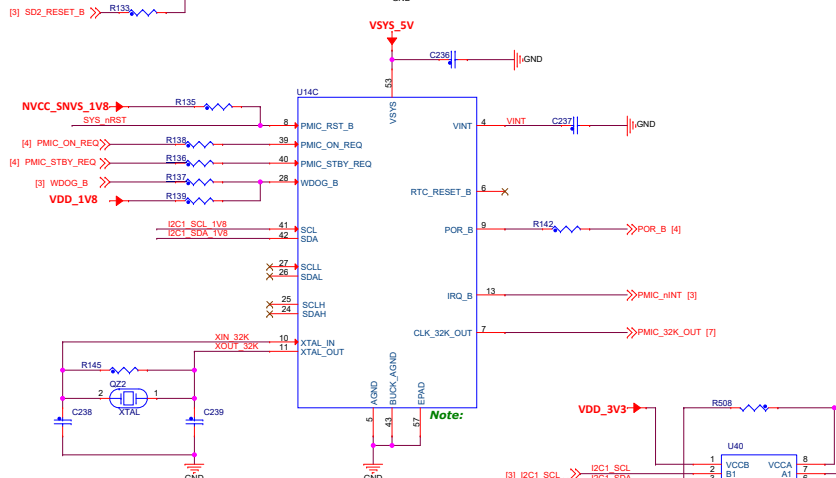
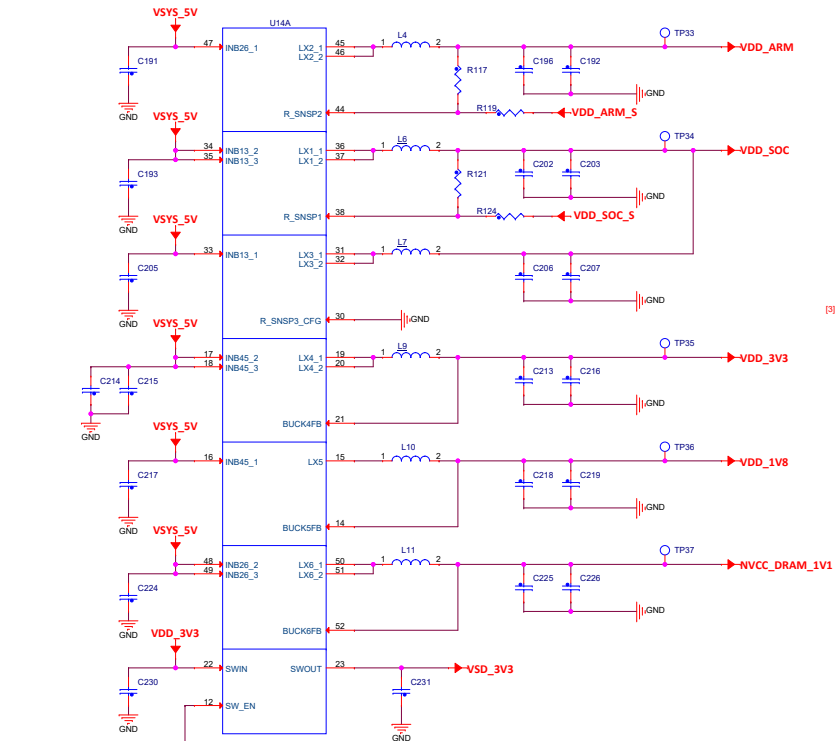
DEBIX		
Title	DEBIX Model A Schematics www.debix.io	
Size	Document Number	Rev
Custom	ETHERNET2	V05
Date:	Sheet	6 of 11

SDIO WIFI/BT MODULE 2.4G/5G

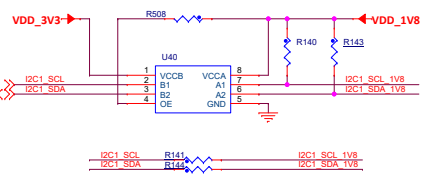
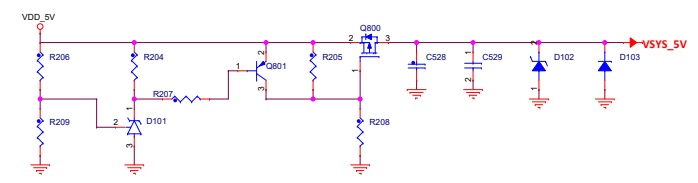
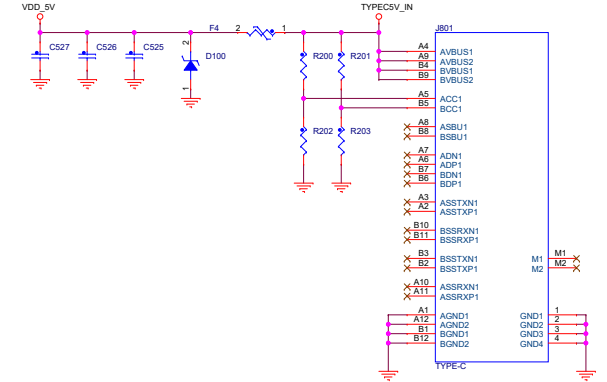


DEBIX		
Title DEBIX Model A Schematics www.debix.io		
Size A4	Document Number WIFI&BT	Rev V05
Date:	Sheet 7 of 11	

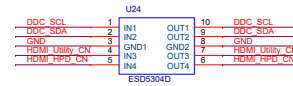
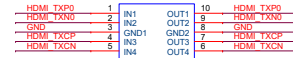
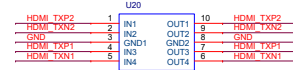
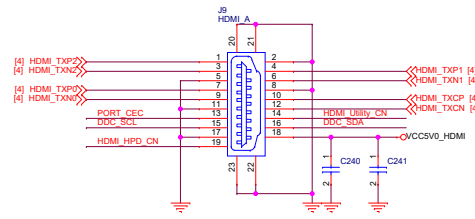
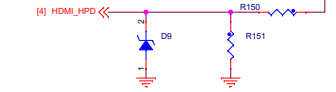
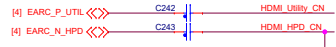
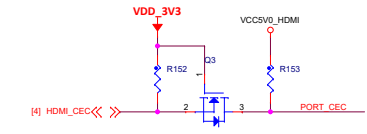
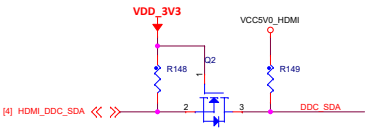
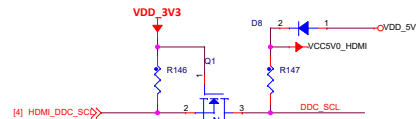
SYS PMIC



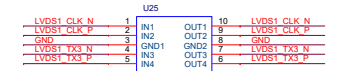
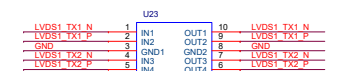
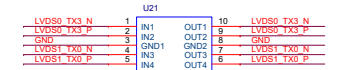
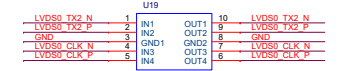
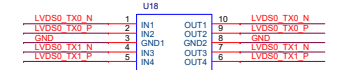
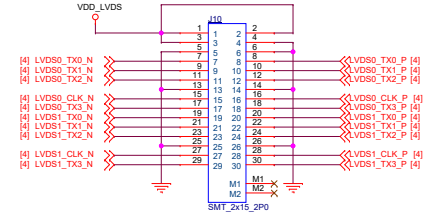
- BH1
- BH2
- BH3
- BH4



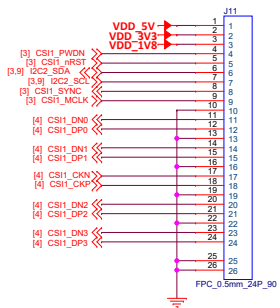
HDMI OUT



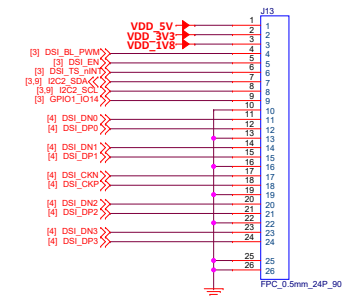
DUAL LVDS OUT

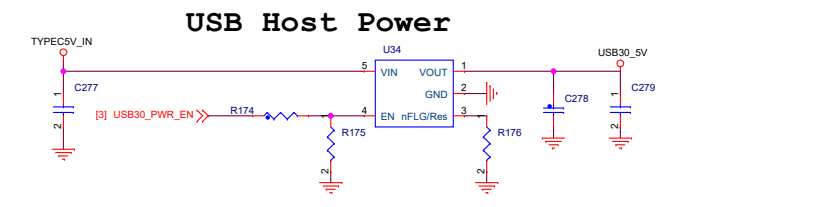
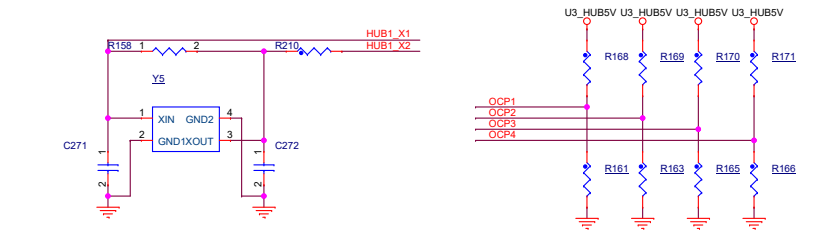
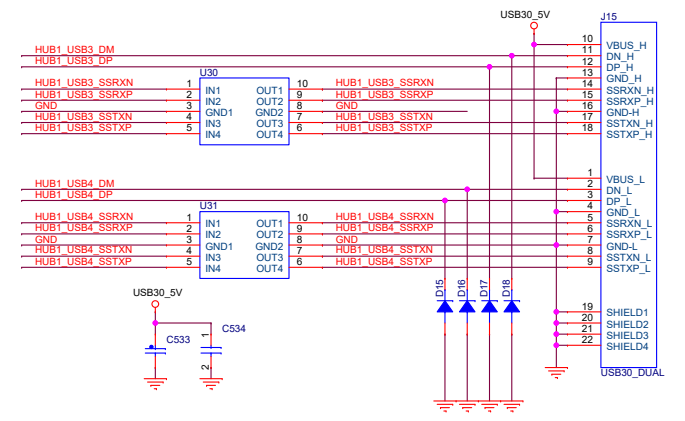
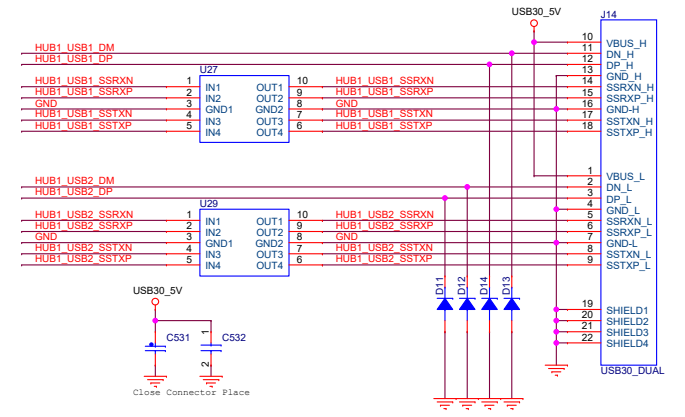
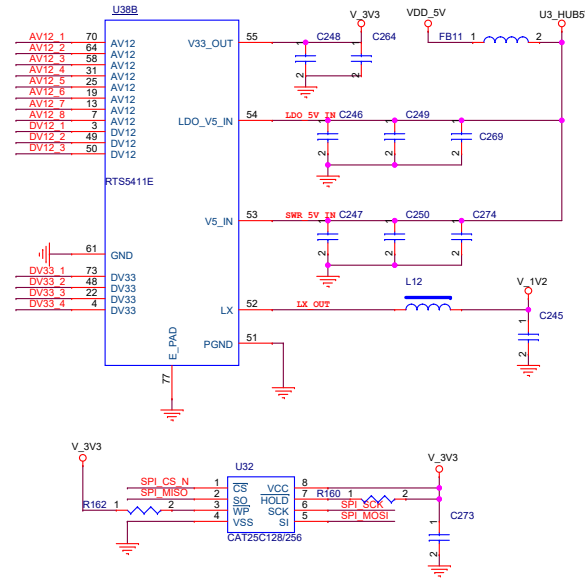
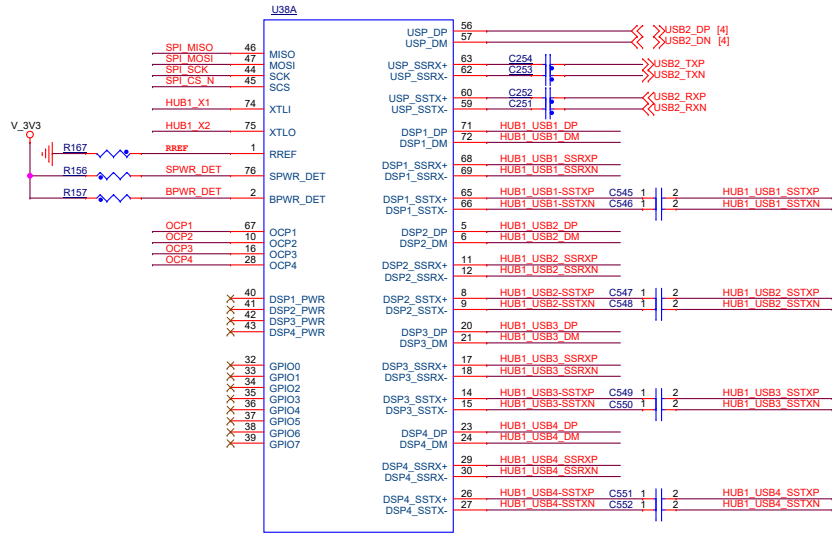


CSI1 INPUT

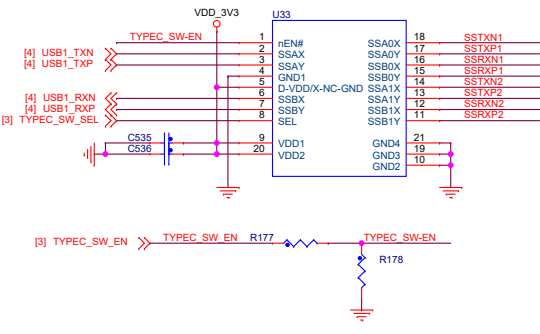


DSI OUTPUT



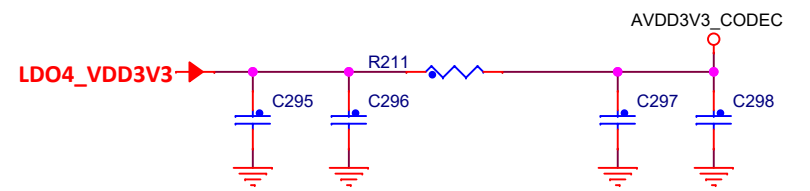
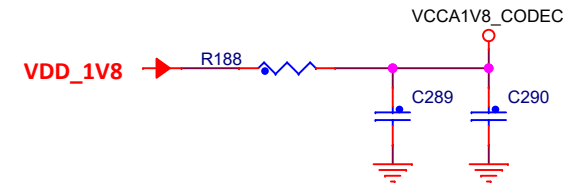
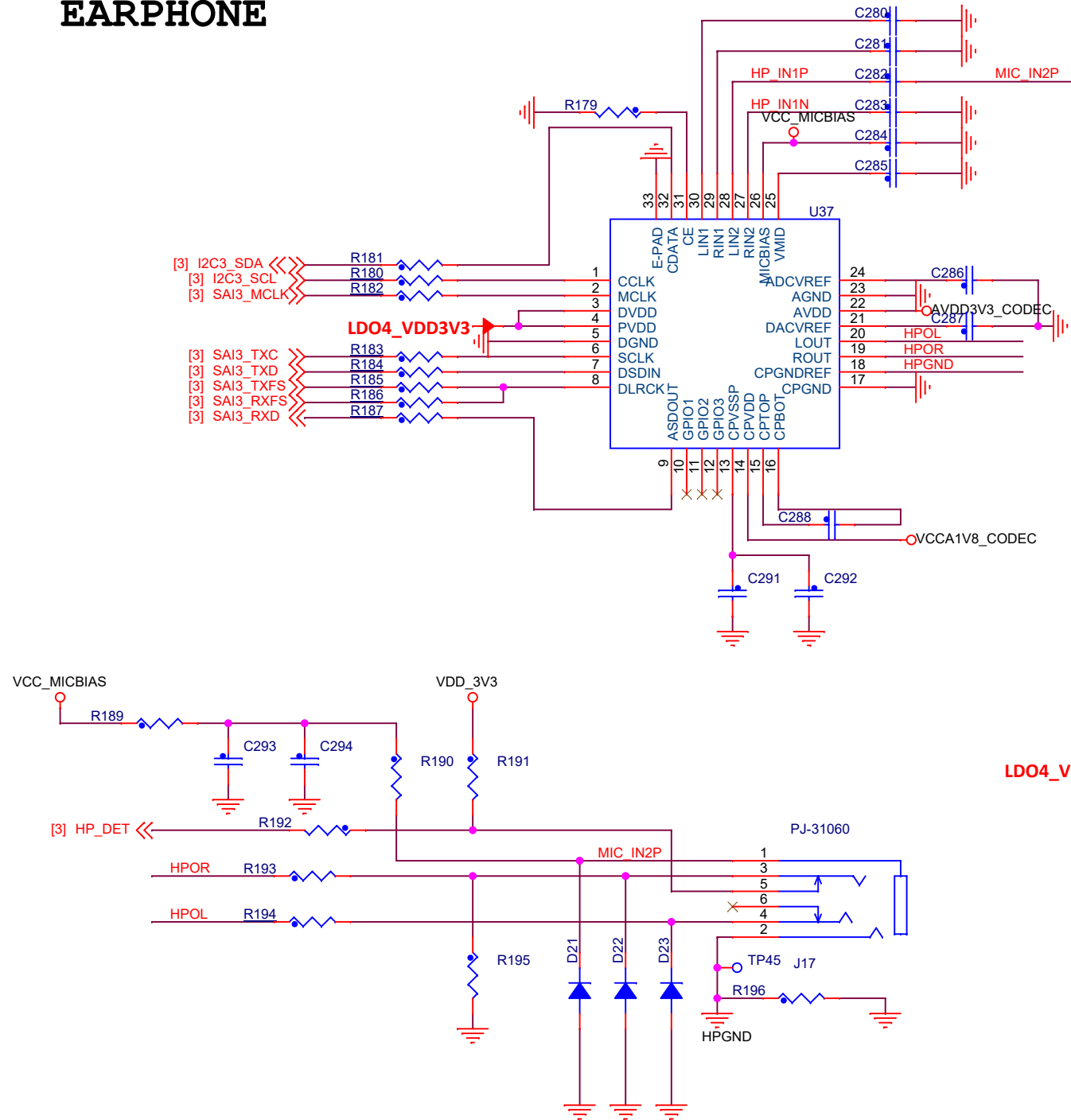


USB Type-C Port



DEBIX			
Title	DEBIX Model A Schematics www.debix.io		
Size	Document Number		Rev
Customer	OTG&USB30 HUB		V05
Date:		Sheet	10 of 11

EARPHONE



DEBIX		
Title: DEBIX Model A Schematics www.debix.io		
Size: A4	Document Number: AUDIO CODEC	Rev: V05
Date:	Sheet: 11	of 11